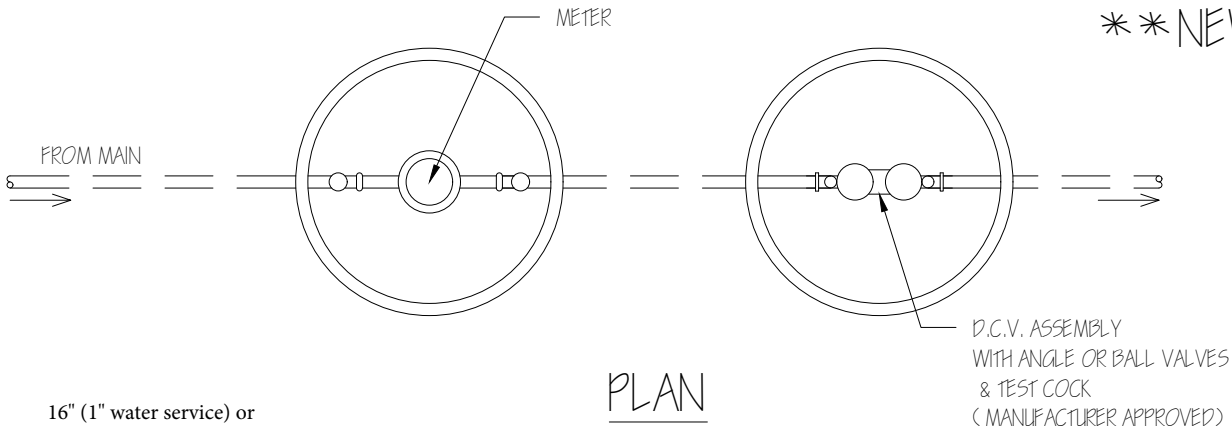


# \*\* NEW METER PIT COVER REQUIREMENT \*\*

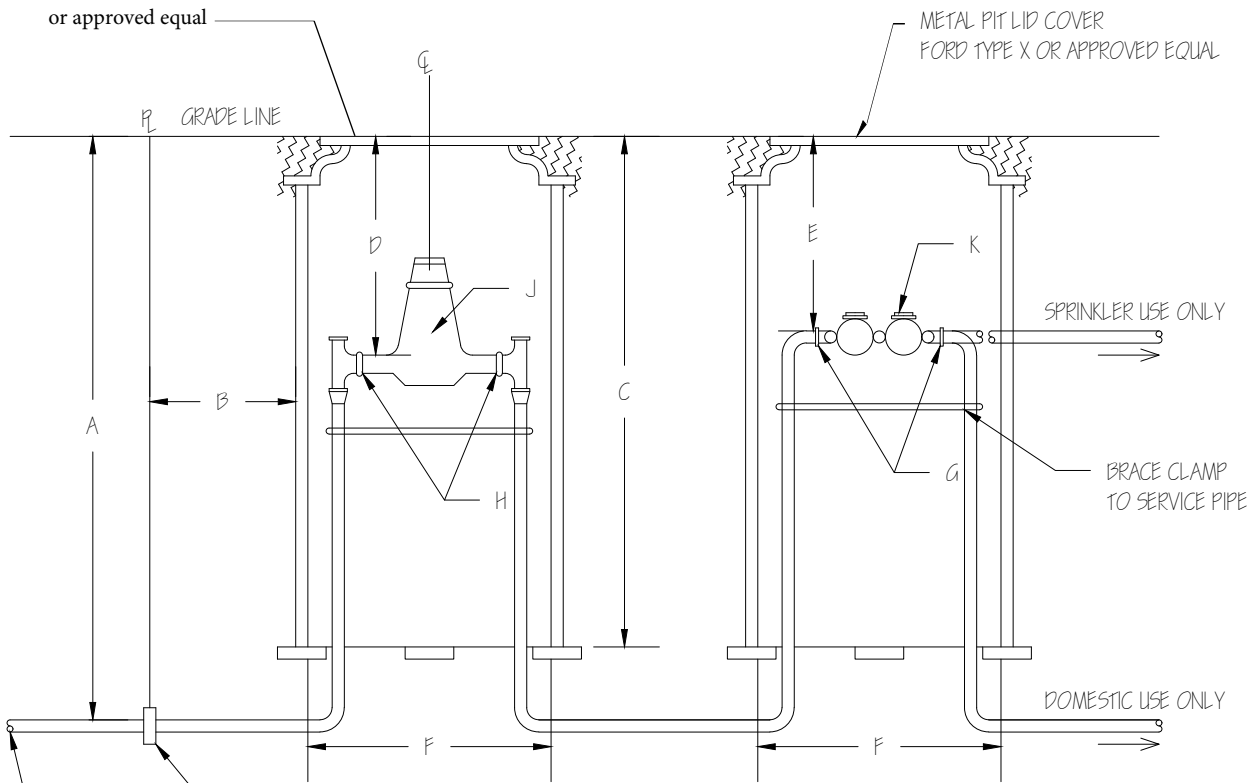


## PLAN

NOT TO SCALE

16" (1" water service) or  
21" (1-1/2" & 2" water service)  
Nicor Inc. Read-Rite Polymer Lid with  
1-7/8" diameter threaded through hole,  
Model No. 16.0WAT0th, 21.0WAT0th,  
or approved equal

# \*\* NEW METER PIT COVER REQUIREMENT \*\*



## SECTION

NOT TO SCALE

### NOTES:

1. DOUBLE CHECK VALVE INSTALLATION SHALL MEET ALL NASSAU COUNTY HEALTH DEPT. AND NEW YORK STATE HEALTH DEPT. REGULATIONS.
2. DOUBLE CHECK VALVE MUST NOT BE SUBJECT TO FLOODING AND FREEZING.
3. PIPING TO BE UNBRANCHED AND UNOBSTRUCTED FROM THE MAIN TO D.C.V. DEVICE EXCEPT FOR METER.
4. DEVICE MUST BE TESTED AT LEAST ANNUALLY BY A N.Y.S.H.D. CERTIFIED TESTER.
5. PROPOSED DEVICE MADE BY: FEBCO, MODEL #850 SIZE 1" OR APPROVED EQUAL.
6. LOCATING THE PITS ON THE CUSTOMER PROPERTY IS THE RESPONSIBILITY OF THE INSTALLER.
7. MOISTURE OR RAIN SENSOR MUST BE INSTALLED DOWNSTREAM FROM PITS ON SPRINKLER SYSTEMS.
8. PROPOSED WATER SERVICE MUST BE SLEEVED IN PVC CONDUIT WHEN RUNNING UNDER ANY PERMANENT STRUCTURE (I.E. DRIVEWAY, CONCRETE PORCH, PATIO, ETC.)
9. PRESSURE VACUUM BREAKERS ARE NOT PERMITTED IN-LIEU OF BACKFLOW DEVICES.
10. Existing curb box cannot be removed or location disturbed before new service is installed.

- A 48"
- B 24" MINIMUM
- C 42"
- D 18"
- E 16"
- F 20" FOR 3/4" & 1" INSTALLATION
- F 36" FOR 1 1/2" & 2" INSTALLATIONS
- G ANGLE OR BALL VALVES REQUIRED (2)
- H ANGLE VALVES REQUIRED (2)
- J METER
- K D.C.V. ASSEMBLY

METER DIMENSIONS	
METER SIZE	METER LENGTH (FLANGE TO FLANGE)
1"	10 3/4"
1 1/2"	13"
2"	17"

.\\app\_150.jpg

REV 3/11/2018

## WATER AUTHORITY OF GREAT NECK NORTH

### METER AND DOUBLE CHECK VALVE PIT INSTALLATION DETAIL

THIS DRAWING MUST BE GIVEN TO YOUR PLUMBER OR SPRINKLER COMPANY TO FOLLOW. NO EXCEPTIONS WILL BE ALLOWED.